



**WALSH ENGINEERING SOLUTIONS PTY LTD**  
**478 BOUNDARY ST**  
**TOOWOOMBA QLD 4350**

**PHONE (07) 4634 3344**  
**FAX (07) 4634 3355**  
**ABN 97 094 098 781**

---

File J:\Clark Tanks\12152 Industrial Tank 3D Modelling\Certificates\C12153-18(A)W.docx

## **MECHANICAL CERTIFICATE**

We certify that the polyethylene tank described below, has been FEA tested and meets the requirements of AS4766 – 2006 Polyethylene storage tanks for water and chemicals.

**Manufacturer –** Clark Industrial  
**Drawing No –** 12153-CT5000DNR rev A  
**Capacity –** 23057 litres  
**Material -** QENOS LL711UV

**Maximum Fluid Specific Gravity –** 2

Name of person signing K Walsh

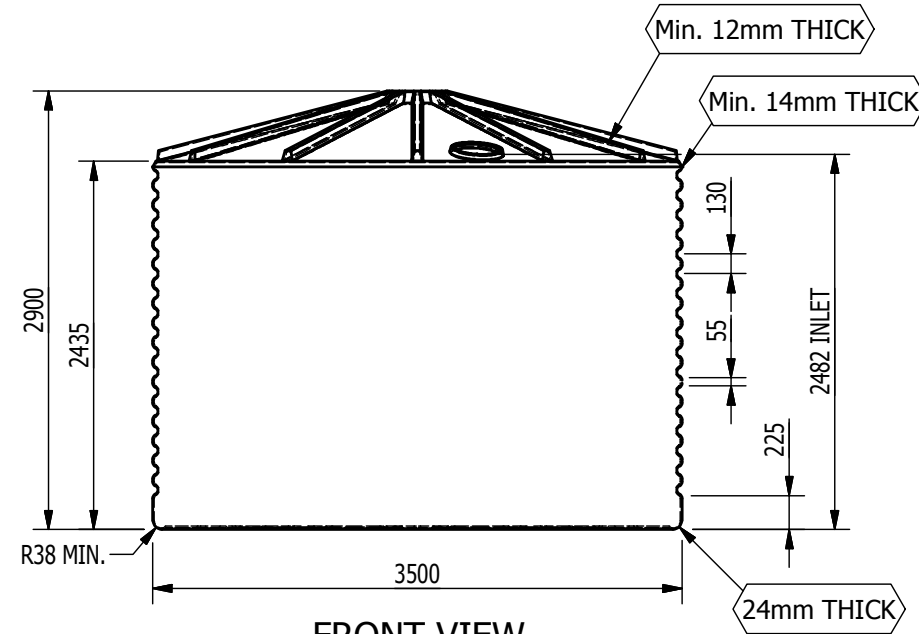
Professional Qualifications Bachelor Engineering (Mechanical)

Qld Registered Professional Engineer Number 3805  
National Professional Engineers Register Section 3 (NPER3) 104950

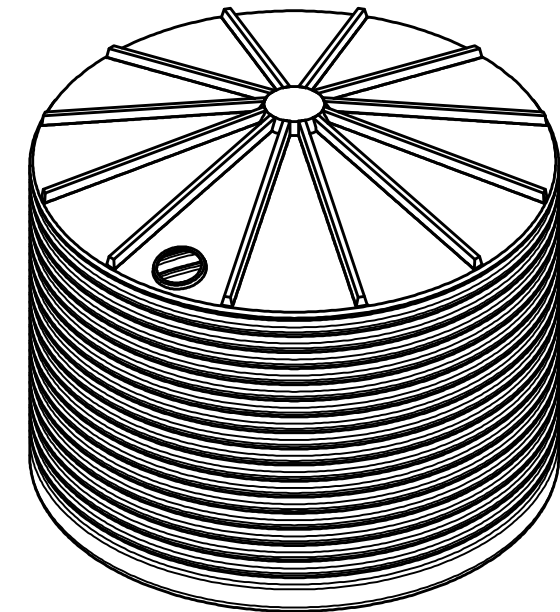
Signature                     *K. Walsh*                    

Date           15/10/2015          

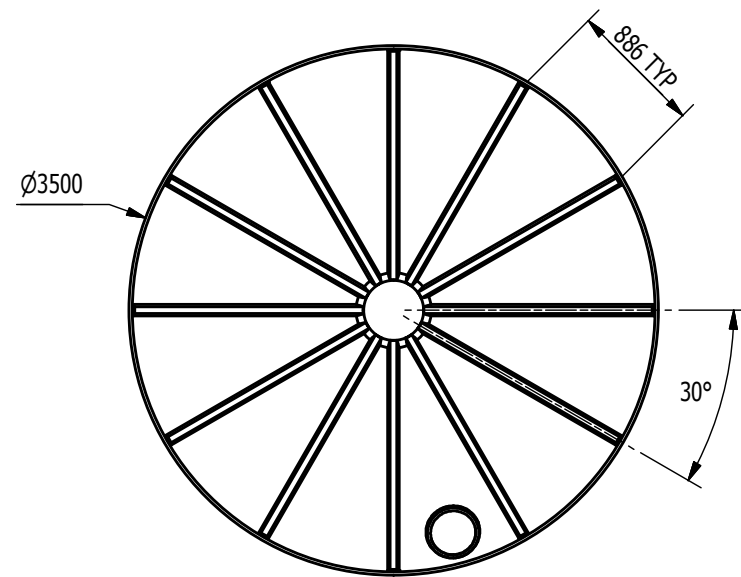
Certificate # **C12153-18(A)**



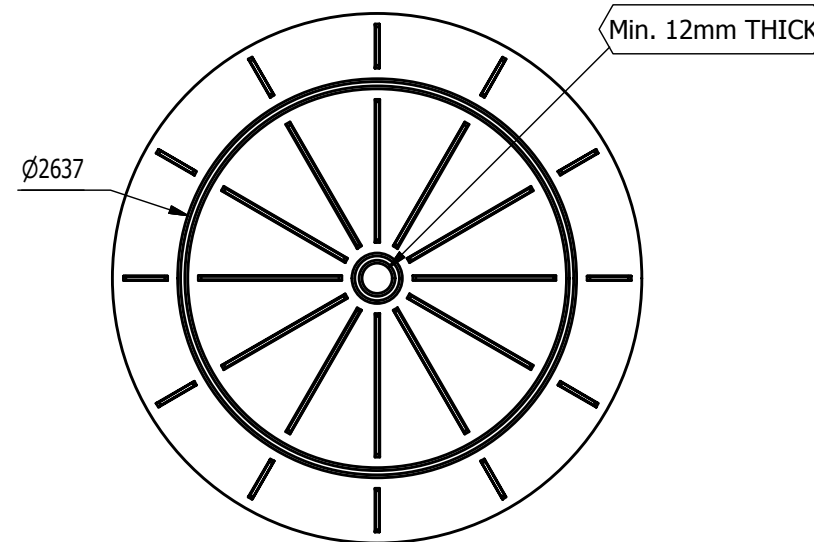
FRONT VIEW  
PART NO. CT5000DNR



ISOMETRIC VIEW



TOP VIEW



BOTTOM VIEW

⌀ - INDICATES PART IS SYMMETRICAL ABOUT CENTRE LINE UNO.



TOLERANCE - UNO	
LINEAR	± 1
ANGULAR	± 0.5
WELDING - UNO	
WELDS	N/A
AS1554.1 Steel Structures	
AS1554.4 High Strength Quenched & Tempered Steels	
DIMENSIONS IN MILLIMETERS - UNO	

**COPYRIGHT AND REPRODUCTION**  
Copyright in the drawings information and data recorded here on and their format and presentation ("data") is the property of Walsh Engineering Solutions Pty. Ltd. (WES) and may not be used, copied or reproduced in whole or part for any purpose other than that for which it is supplied by WES without the prior consent of WES. WES is not responsible for any document or part of a document produced containing data unless that document or the relevant part is identical to the document provided herewith ("the accompanying document"). The terms printed on this label are part of the data and the accompanying documents and must be contained or affixed to any reproduction of the data or the accompanying documents.

Sheet Size	<b>A3</b>
AS 1100-1993	
THIRD ANGLE PROJECTION	

A	ORIGINAL ISSUE	15/10/2015	DWW
REVISION	DETAILS	DATE	INITIAL
Client: CLARK TANKS			
Project: INDUSTRIAL TANK 3D MODELLING			
Title: 22730 LITRE TANK ARRANGEMENT			
Date:	15/03/2013	Walsh Engineering Solutions Pty. Ltd. 478 Boundary St Toowoomba 4350 A.C.N. 094 098 781 Phone (07) 4634 3344 Fax (07) 4634 3355	
Scale:	DO NOT SCALE		
Drawn By:	M. Robe	Drawing No.	12152-CT5000DNR
Designed By:	CLARK J	Rev.	A
Checked By:	Checked by	Cad File: 12152-CT5000DNR.idw	