



WALSH ENGINEERING SOLUTIONS PTY LTD
478 BOUNDARY ST
TOOWOOMBA QLD 4350

PHONE (07) 4634 3344
FAX (07) 4634 3355
ABN 97 094 098 781

File J:\Clark Tanks\12152 Industrial Tank 3D Modelling\Certificates\C12152-16(A)W.docx

MECHANICAL CERTIFICATE

We certify that the polyethylene tank described below, has been FEA tested and meets the requirements of AS4766 – 2006 Polyethylene storage tanks for water and chemicals.


Manufacturer – Clark Industrial
Drawing No – 12152-CT8000 rev B
Capacity – 37900 litres
Material - QENOS LL711UV

Maximum Fluid Specific Gravity – 2.0

Name of person signing K Walsh

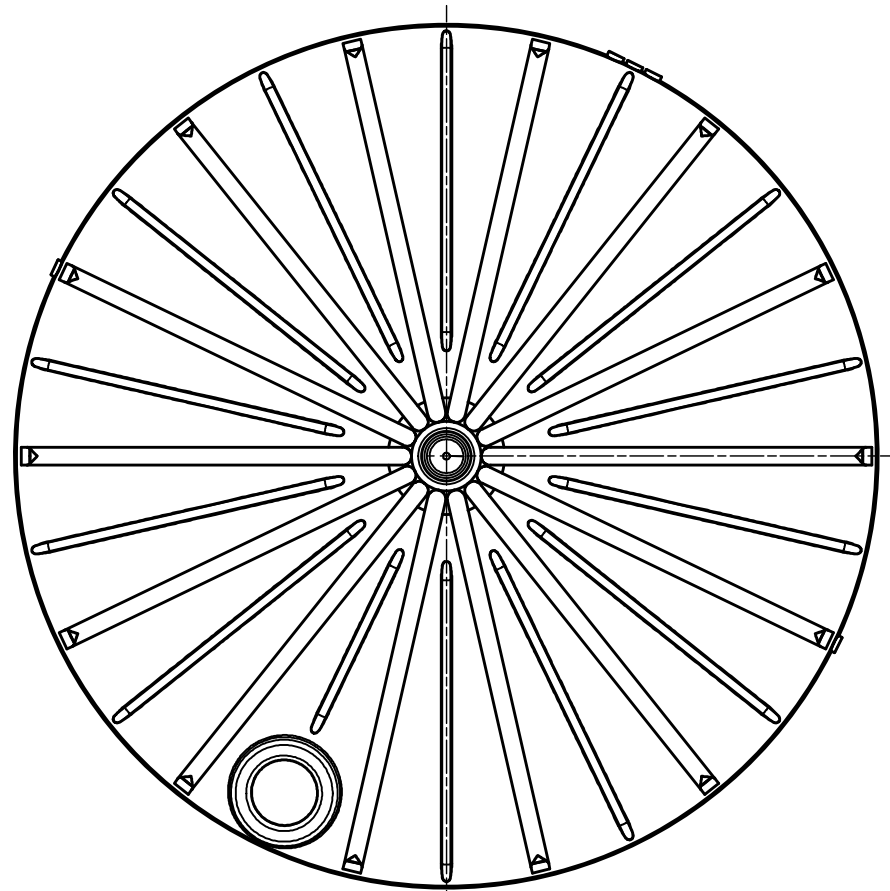
Professional Qualifications Bachelor Engineering (Mechanical)

Qld Registered Professional Engineer Number 3805
National Professional Engineers Register Section 3 (NPER3) 104950

Signature 

Date 12/06/2013

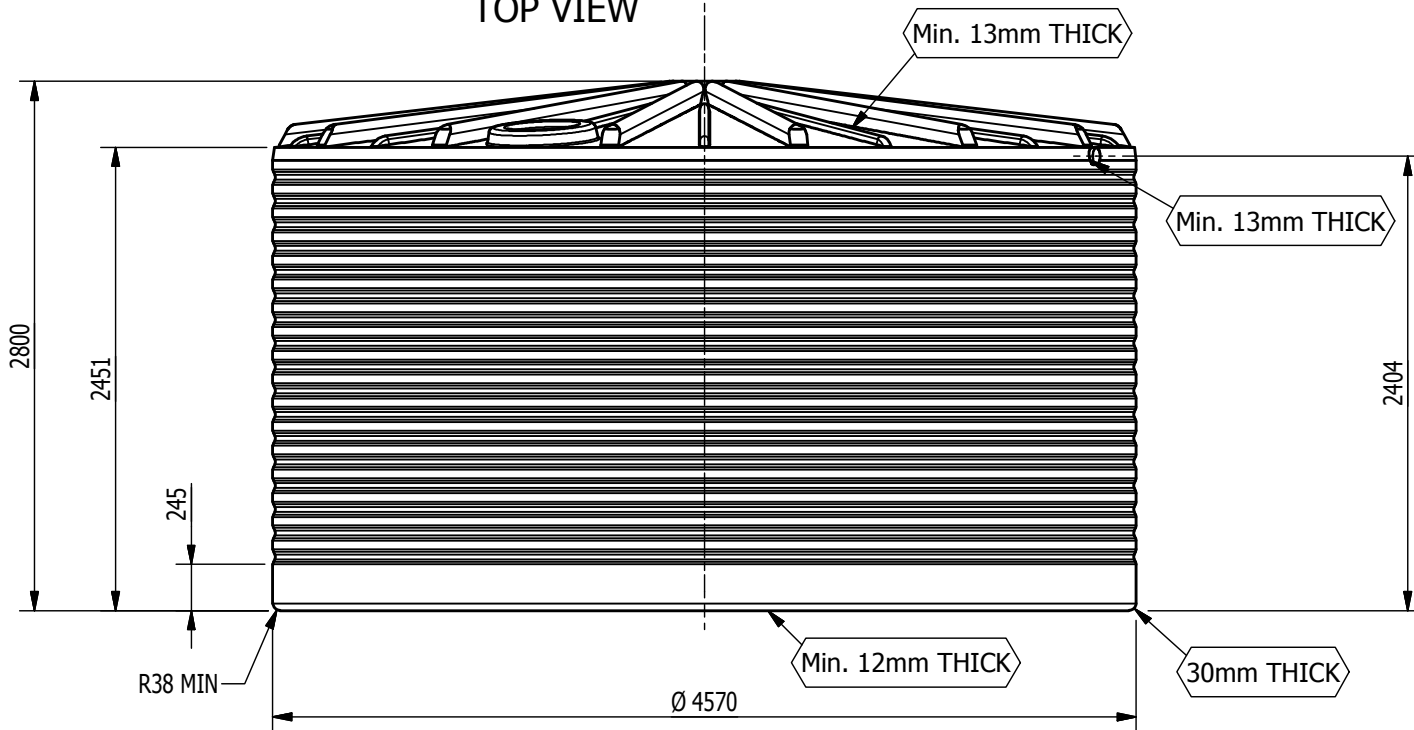
Certificate # **C12152-16(A)**



TOP VIEW



ISOMETRIC VIEW



FRONT VIEW

CT8000 - ASSY PART NO. CT8300
37900 LITRE CAPACITY

☺ - INDICATES PART IS SYMMETRICAL ABOUT CENTRE LINE UNO.

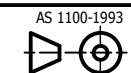


TOLERANCE - UNO	
LINEAR	± 1
ANGULAR	± 0.5
WELDING - UNO	
WELDS	N/A
AS1554.1 Steel Structures	
AS1554.4 High Strength Quenched & Tempered Steels	
DIMENSIONS IN MILLIMETERS - UNO	

COPYRIGHT AND REPRODUCTION
Copyright in the drawings information and data recorded here on and their format and presentation ("data") is the property of Walsh Engineering Solutions Pty. Ltd. (WES) and may not be used, copied or reproduced in whole or part for any purpose other than that for which it is supplied by WES without the prior consent of WES. WES is not responsible for any document or part of a document produced containing data unless that document or the relevant part is identical to the document provided herewith ("the accompanying document"). The terms printed on this label are part of the data and the accompanying documents and must be contained or affixed to any reproduction of the data or the accompanying documents.

Sheet Size

A3



THIRD ANGLE PROJECTION

B	VOLUME UPDATED	12/06/2013	DWW
A	ORIGINAL ISSUE	4/04/2013	DWK
REVISION	DETAILS	DATE	INITIAL

Client: CLARK TANKS
Project: INDUSTRIAL TANK 3D MODELLING
Title: 36300 LITRE TANK ARRANGEMENT

Date:	18/03/2013
Scale:	DO NOT SCALE
Drawn By:	D. Knight
Designed By:	CLARK T
Checked By:	Checked by



Walsh Engineering Solutions Pty. Ltd.	
478 Boundary St Toowoomba 4350 A.C.N. 094 098 781	
Phone (07) 4634 3344	Fax (07) 4634 3355
Drawing No.	Rev.
12152-CT8000	B
Cad File: 12152-CT8000.idw	