



WALSH ENGINEERING SOLUTIONS PTY LTD
478 BOUNDARY ST
TOOWOOMBA QLD 4350

PHONE (07) 4634 3344
FAX (07) 4634 3355
ABN 97 094 098 781

File J:\Clark Tanks\12152 Industrial Tank 3D Modelling\Certificates\C12152-14(A)W.docx

MECHANICAL CERTIFICATE

We certify that the polyethylene tank described below, has been FEA tested and meets the requirements of AS4766 – 2006 Polyethylene storage tanks for water and chemicals.

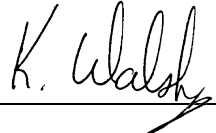
Manufacturer – Clark Industrial
Drawing No – 12152-CT5200SQ rev A
Capacity – 22940 litres
Material - QENOS LL711UV

Maximum Fluid Specific Gravity – 2.0

Name of person signing K Walsh

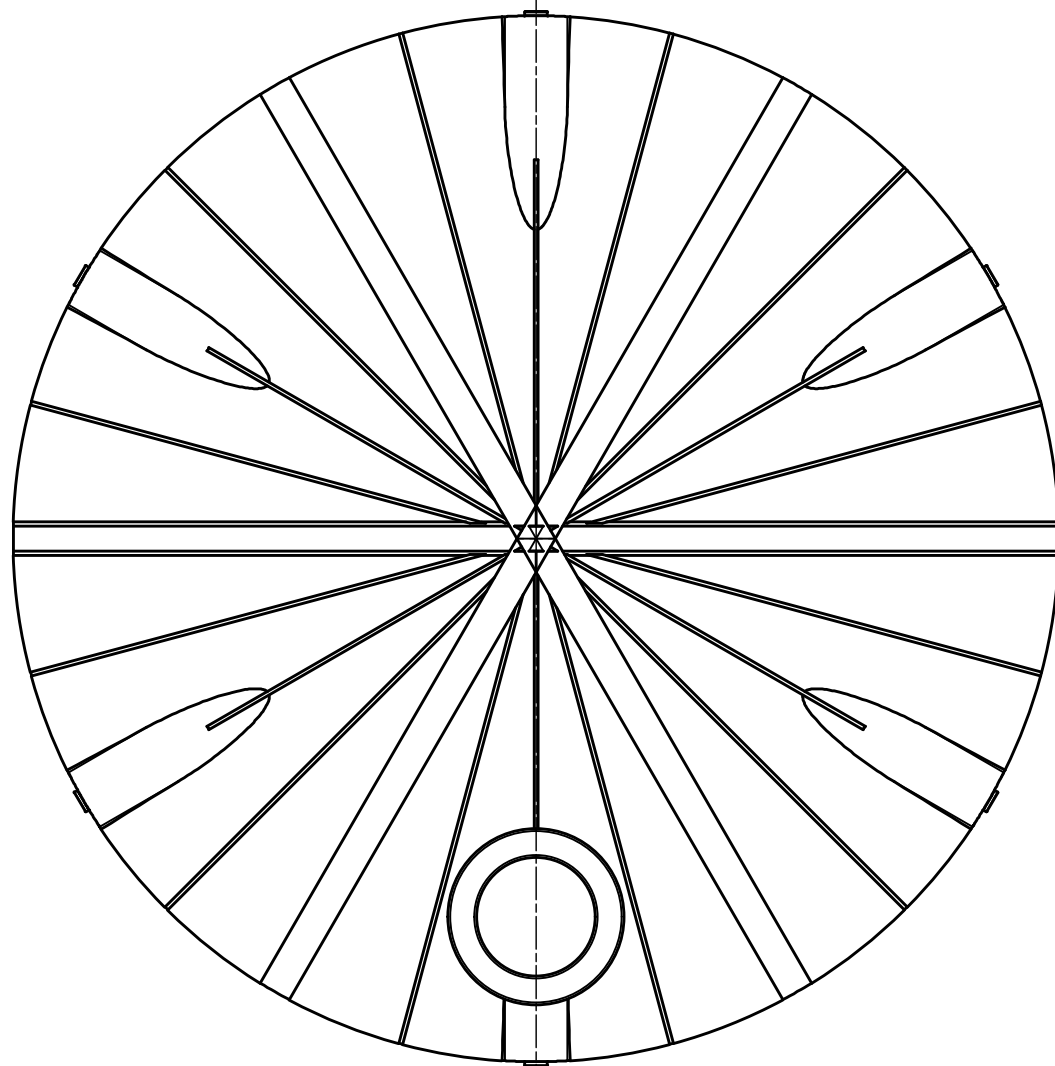
Professional Qualifications Bachelor Engineering (Mechanical)

Qld Registered Professional Engineer Number 3805
National Professional Engineers Register Section 3 (NPER3) 104950

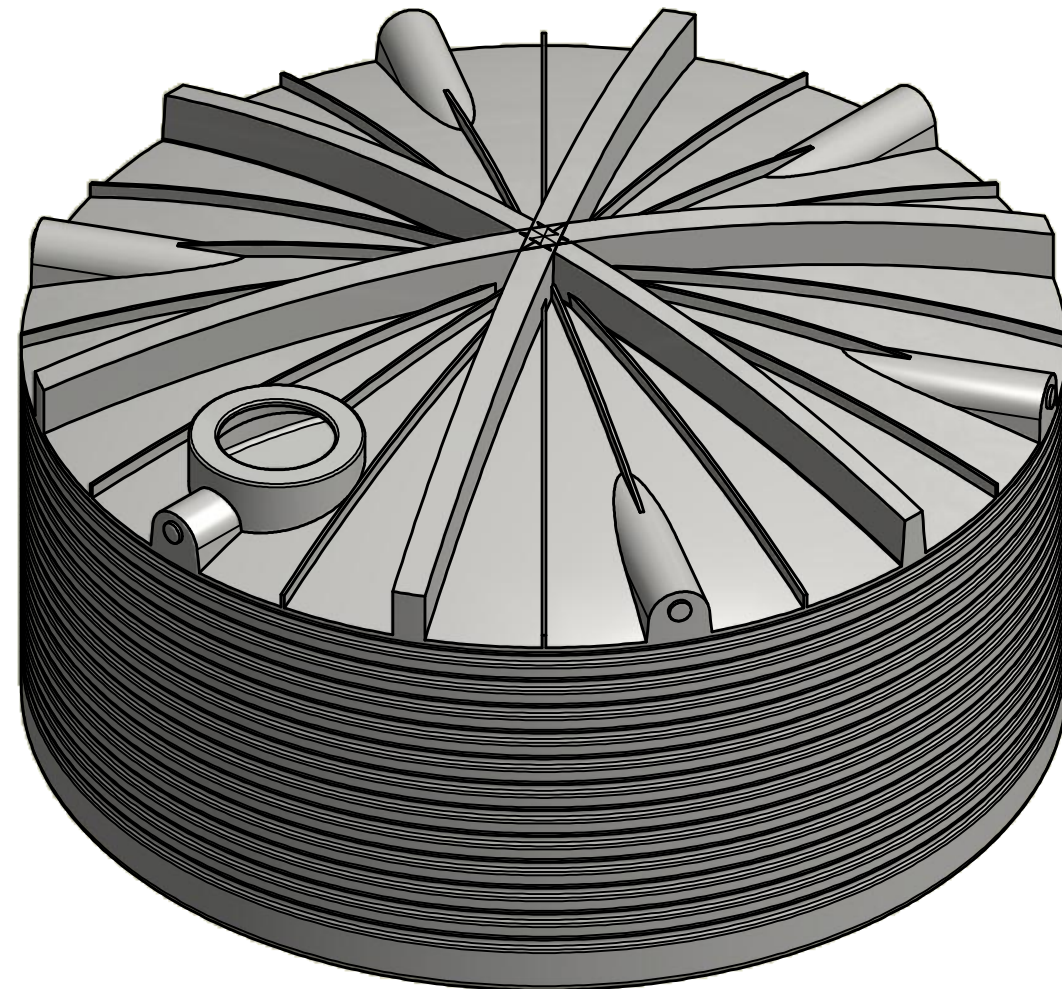
Signature 

Date 12/06/2013

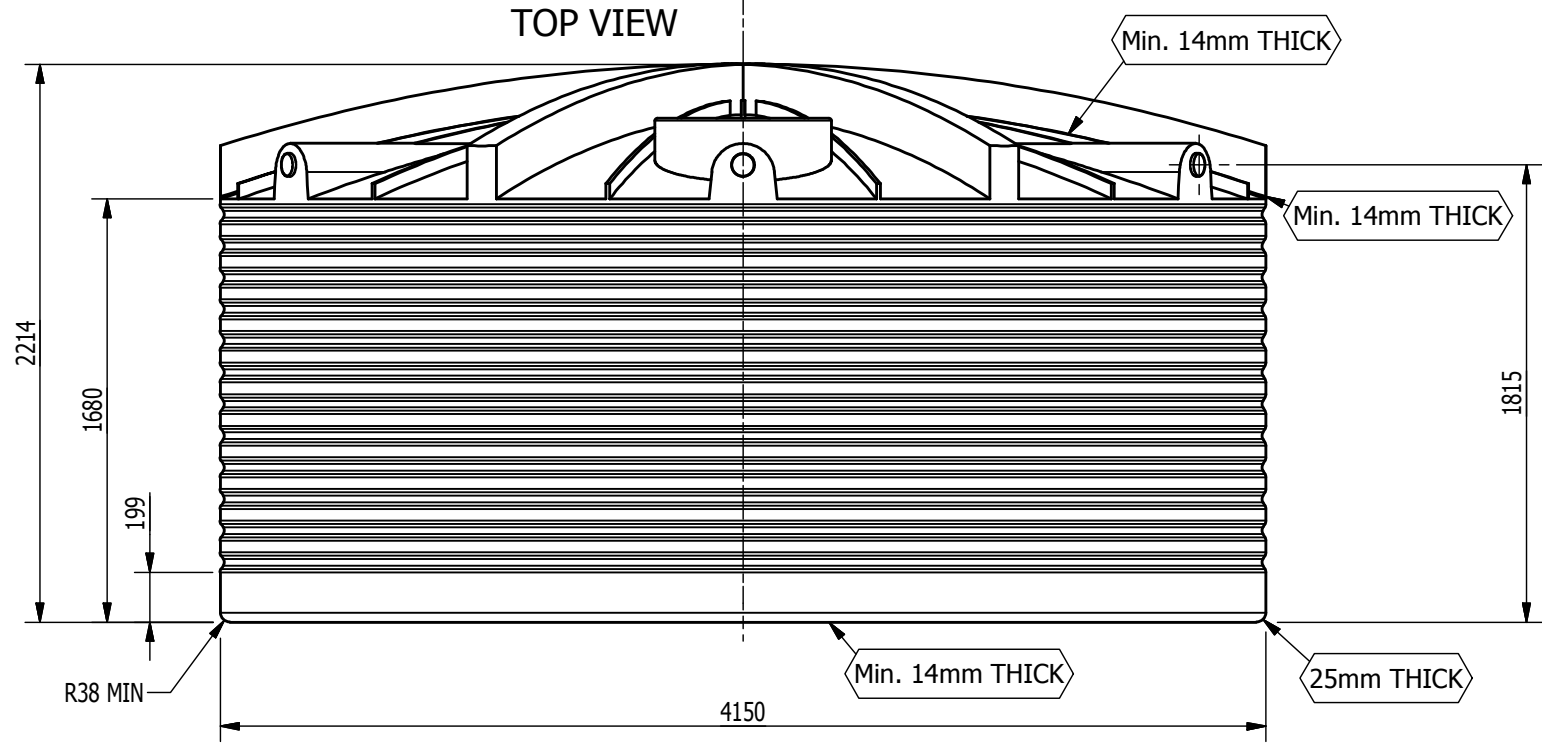
Certificate # **C12152-14(A)**



TOP VIEW



ISOMETRIC VIEW



FRONT VIEW

CT5200SQ - ASSY PART NO. CT5095
22940 LITRE CAPACITY




☞ - INDICATES PART IS SYMMETRICAL ABOUT CENTRE LINE UNO.

TOLERANCE - UNO	
LINEAR	± 1
ANGULAR	± 0.5
WELDING - UNO	
WELDS	N/A
AS1554.1 Steel Structures	
AS1554.4 High Strength Quenched & Tempered Steels	
DIMENSIONS IN MILLIMETERS - UNO	

COPYRIGHT AND REPRODUCTION
Copyright in the drawings information and data recorded here on and their format and presentation ("data") is the property of Walsh Engineering Solutions Pty. Ltd. (WES) and may not be used, copied or reproduced in whole or part for any purpose other than that for which it is supplied by WES without the prior consent of WES. WES is not responsible for any document or part of a document produced containing data unless that document or the relevant part is identical to the document provided herewith ("the accompanying document"). The terms printed on this label are part of the data and the accompanying documents and must be contained or affixed to any reproduction of the data or the accompanying documents.

Sheet Size
A3
AS 1100-1993
THIRD ANGLE PROJECTION

A	ORIGINAL ISSUE	4/04/2013	DWK
REVISION	DETAILS	DATE	INITIAL
Client: CLARK TANKS			
Project: INDUSTRIAL TANK 3D MODELLING			
Title: 23600 LITRE TANK ARRANGEMENT			
Date:	15/03/2013	 Walsh Engineering Solutions Pty. Ltd. 478 Boundary St Toowoomba 4350 A.C.N. 094 098 781 Phone (07) 4634 3344 Fax (07) 4634 3355	
Scale:	DO NOT SCALE		
Drawn By:	D. Knight	Drawing No.	12152-CT5200S
Designed By:	CLARK T	Rev.	A
Checked By:	Checked by	Cad File: 12152-CT5200SQ.idw	